



Specification For Electret Condenser Microphone (RoHS Compliance)

YG Model: **BO6022CSC-ED303** 高清晰低噪音 MIC

Customer Name:

Customer Model:

YG	
Designed by :	_____
Checked by :	_____
Approved by :	_____
Customer Approval	
Approval by :	_____

深圳市莺歌声学技术有限公司
Shenzhen Yingge Acoustics Technology Co., Ltd.



地址：深圳市福田区深南中路 3018 号
TEL: 0755-83227251 13509631258 孙先生
FAX: 0755-83012196
E-Mail: yg@yinglear.com mic-acts@163.com
QQ:1755836851 P.C.:518000
<https://www.yinglear.com>



Index

1. Test Condition-----	4
2. Electrical Characteristics-----	4
3. Typical Frequency Response Curve-----	4
4. Schematic Diagram-----	5
5. Measurement System-----	5
6. Mechanical Characteristics-----	5
6.1 Dimensions-----	5
6.2 Weight-----	5
7. Structure-----	6
8. Applications-----	6
9. Reliability Test-----	7
9.1 Vibration Test-----	7
9.2 Drop Test-----	7
9.3 Hi-Temperature Test-----	7
9.4 Low-Temperature Test-----	7
9.5 Humidity Test-----	7
9.6 Temperature Cycle Test-----	7
9.7 ESD (Electrostatic Discharge)Test-----	7
10.Packaging-----	8
11. Storage and Transportation-----	9



PRODUCT SPECIFICATIONS

1. Test Condition

Standard Conditions	Temperature	Humidity	Air pressure
Environment Conditions	+15°C ~ +35°C	40%RH ~ 70%RH	86kPa ~ 106kPa
Arbitration Conditions	+20 ± 2°C	60%RH ~ 70%RH	86kPa ~ 106kPa

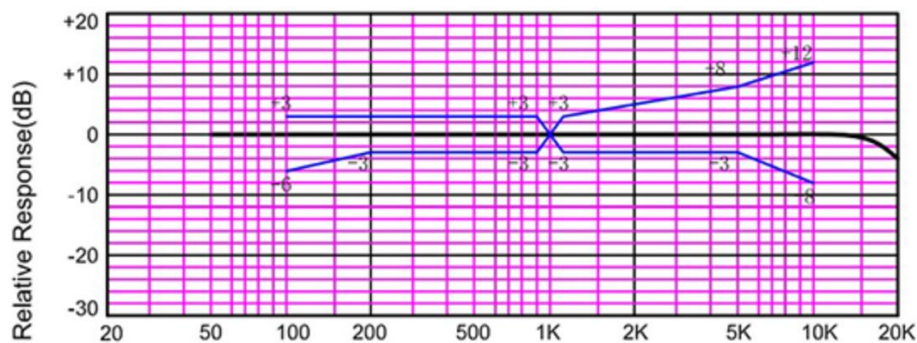
2. Electrical Characteristics

Parameter	Symbol	Condition	Limits			Unit
			Min.	Center	Max.	
Sensitivity	S	f=1KHZ, Pin=1Pa 0dB=1V/Pa, L=50cm	-33	-30	-27	dB
			A: -30.0 ~ -27.0			
			B: -33.0 ~ -30.0			
Directivity	D(θ)	Omnidirectional				dB
Output impedance	ZOUT	f=1KHZ			2.0	KΩ
Current Consumption	IDSS	VS=3.0V, RL=2.0KΩ			500	uA
Signal to Noise Ratio	S/N	f=1KHZ, Pin=1Pa (A-weighted curve)	72			dB
Decreasing Voltage	ΔS	VS=3.0V to 2.0V			-3	dB
Operating voltage range	VS		1.0		10	V
Maximum input S.P.L	S	THD < 3% @ 1KHz			110	dB

Instruction of mic sensitivity mixed rank:

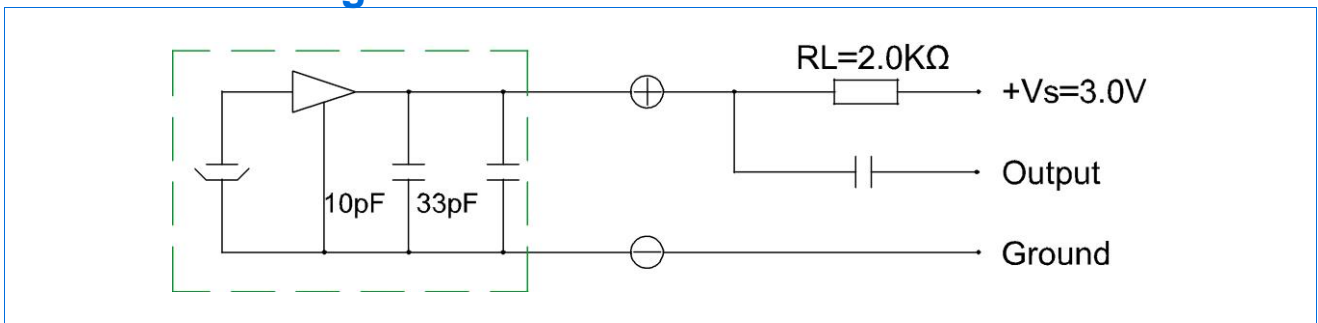
As for the mic special features, A B ranks can not divided absolutely, so we define that if the mixed rank rate is less than 10% (all the sensitivity is within the spec), this lot should be considered as OK products, which can not be returned back.

3. Typical Frequency Response Curve

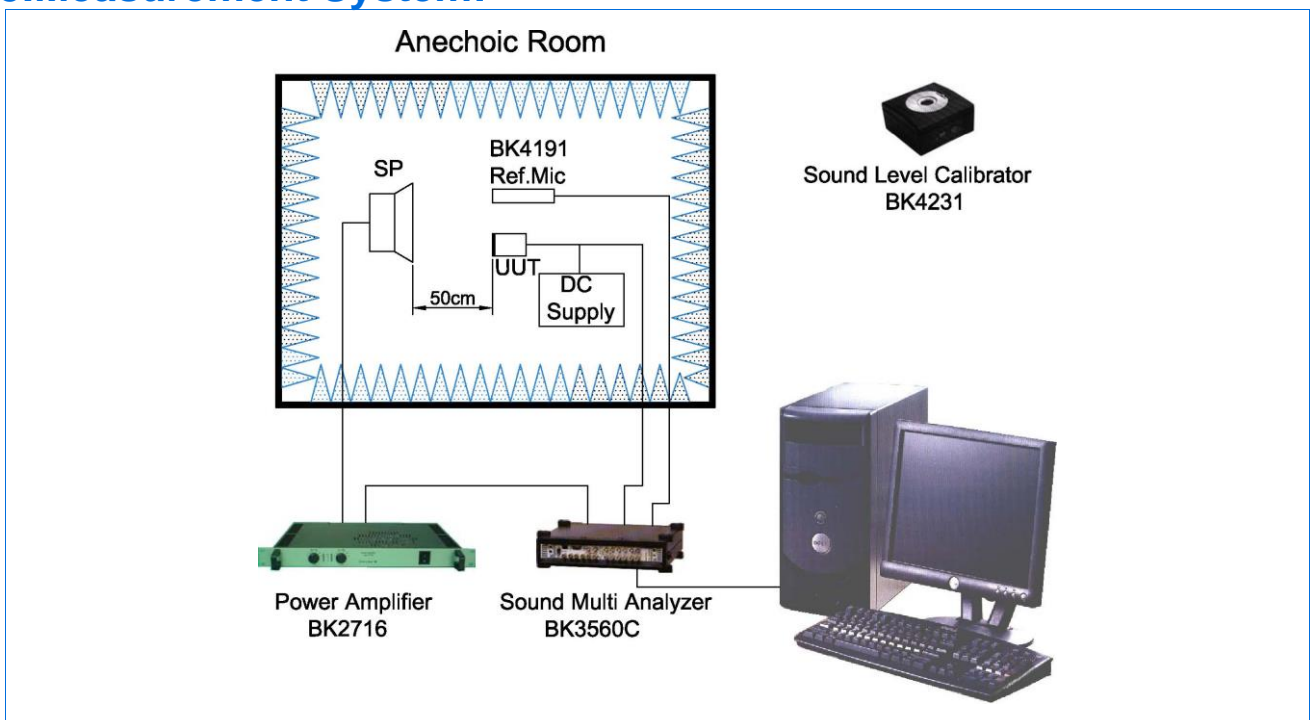




4. Schematic Diagram:

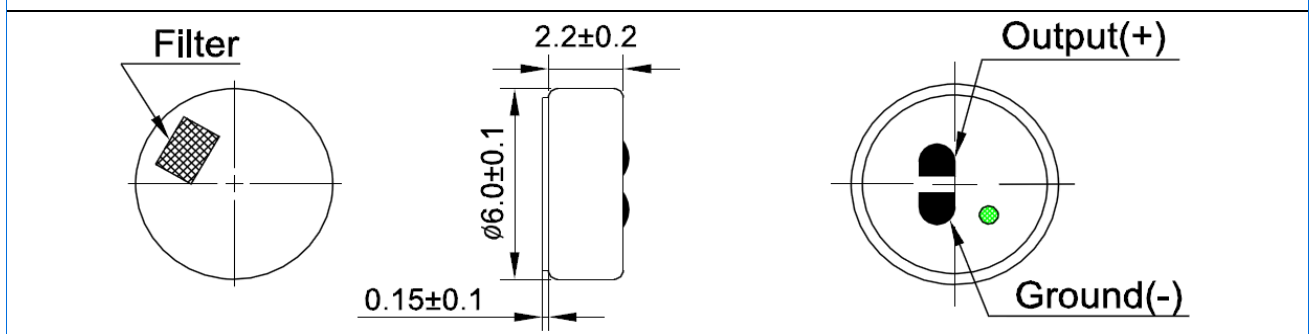


5. Measurement System:



6. Mechanical Characteristics:

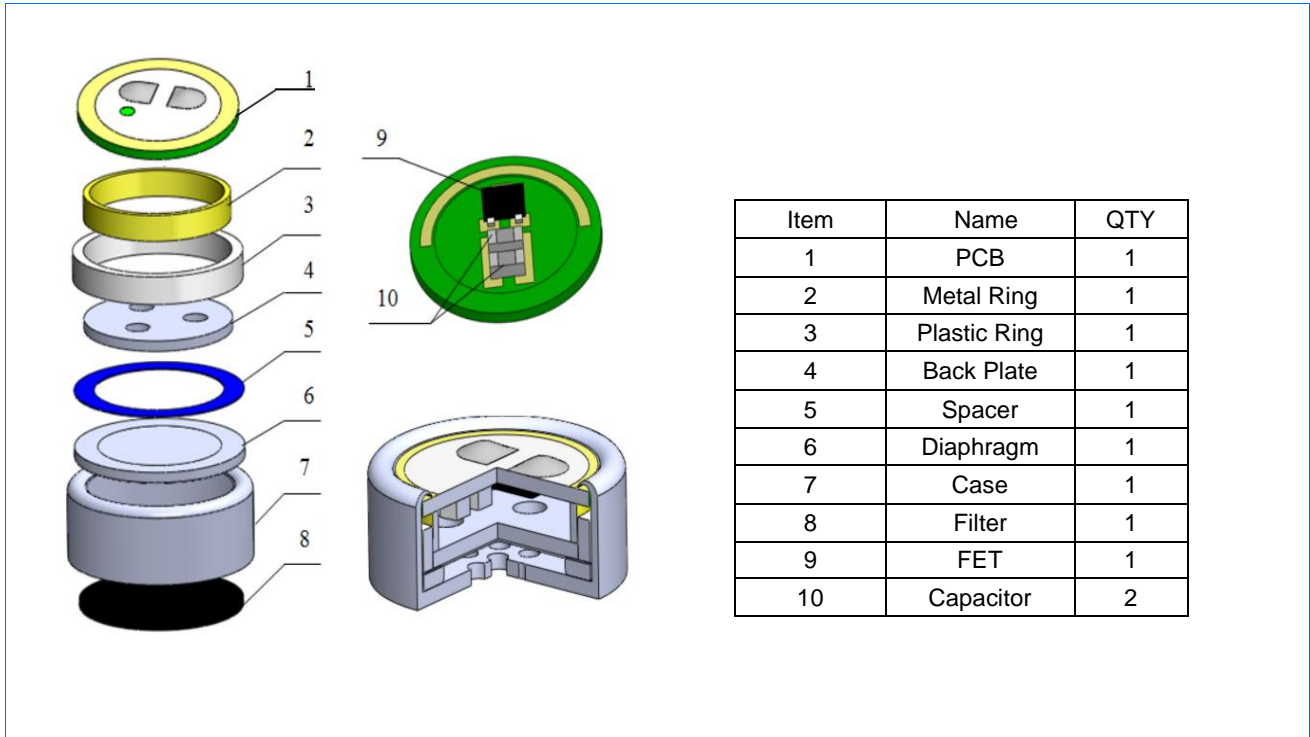
6.1 Dimensions(Unit:mm):



6.2 Weight: less than 0.5g.



7. Structure:



8.Applications

High temperature and static may destroy microphone, So handle it carefully when use:

- a. The soldering iron shall be used below 90W.
- b. The temperature of soldering irons must be limited as $360 \pm 10^{\circ}\text{C}$.
- c. The soldering duration of each terminal shall be within 2 seconds.
- d. The pin holes after soldering shall be avoided.
- e. Keep ECM far away from static electricity.





9. Reliability Test:

After any following tests, the sensitivity of the microphone shall not change more than ± 3 dB from initial value, and shall keep its initial operation and appearance.

9.1	Vibration Test	To be no interference in operation after vibrations,10Hz to 55Hz for 1 minute full amplitude 1.52 mm, for 2 hours at three axes in state of standard packing.
9.2	Drop Test	To be no interference in operation after dropped to concrete floor each one time from 1 meter height at three directions in state of outer packing. (The measurement to be done after 2 hours of conditioning at +15°C~+35°C,R.H40%~ R.H 70%)
9.3	Hi-Temperature Test	Exposure at +70°C for 200 hours (The measurement to be done after 2 hours of conditioning at +15°C~+35°C,R.H40%~ R.H 70%)
9.4	Low-Temperature Test	Exposure at -25°C for 200 hours (The measurement to be done after 2 hours of conditioning at +15°C~+35°C,R.H40%~ R.H 70%)
9.5	Humidity Test	Exposure at +40°C and 90%~95% relative humidity for 200 hours. (The measurement to be done after 2 hours of conditioning at +15°C~+35°C,R.H40%~ R.H 70%)
9.6	Temperature Cycle Test	Exposure at -25°C for 30 minutes, at 20°C for 10 minutes, at +70°C for 30 minutes, at 20°C for 10 minutes,5 cycles. (The measurement to be done after 2 hours of conditioning at +15°C~+35°C,R.H40%~ R.H 70%)
9.7	ESD (Electrostatic Discharge)Test	According to the third item of the standard of IEC 61000 1.Contact discharge Charge 6000V DC to the capacitor with 150pF, and discharge the output of the MIC ten times through the resistance of 330Ω, then check and test it. 2.Air discharge Charge 8000V DC to the capacitor with 150pF, and discharge the sound hole of the MIC ten times through the resistance of 330Ω, then check and test it.



10.Packaging:

	Drawing	Qty (pcs.)	Size(mm) L×W×H	Material
Packing		100	61×61×4.5	Paper
Inner Package		1000 (10×100)	124×62×27.5	Paper
Middle Package		50000 (50×1000)	425×120×285	Paper
Outer Package		100000 (2×50000)	450×270×310	Paper



11. Storage and Transportation

11.1 Keep MIC in warehouse with less than 90 % humidity and without sudden temperature change, acid air, any other harmful air or strong magnetic field.

11.2 The MIC with normal pack can be transported by ordinary conveyances. Please protect products against moist, shock, sunburn and pressure during transportation.

11.3 Storage Temperature Range : $-40^{\circ}\text{C} \sim +85^{\circ}\text{C}$

11.4 Operating Temperature Range : $-30^{\circ}\text{C} \sim +70^{\circ}\text{C}$